

21. SCHEMATIC DRAWINGS

CONTENTS

	Page
2T-C Engine Schematic Drawing (Except for California)	21-1
2T-C Engine Schematic Drawing (California)	21-3
20R Engine Schematic Drawing	21-5
4M Engine Schematic Drawing	21-7
2F Engine Schematic Drawing	21-9

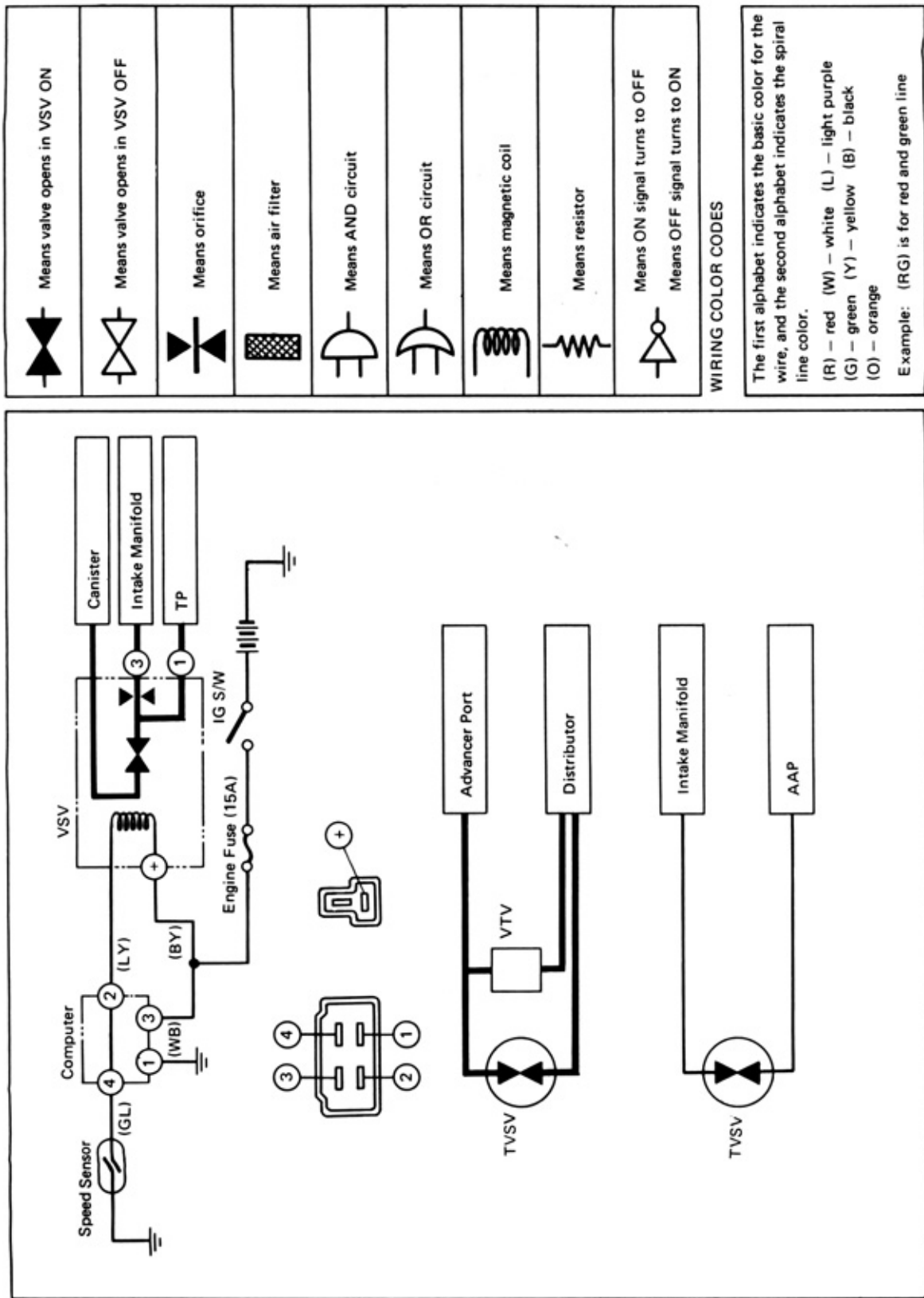


Fig. 21-1 2T-C Engine Schematic Drawing (Except for California)

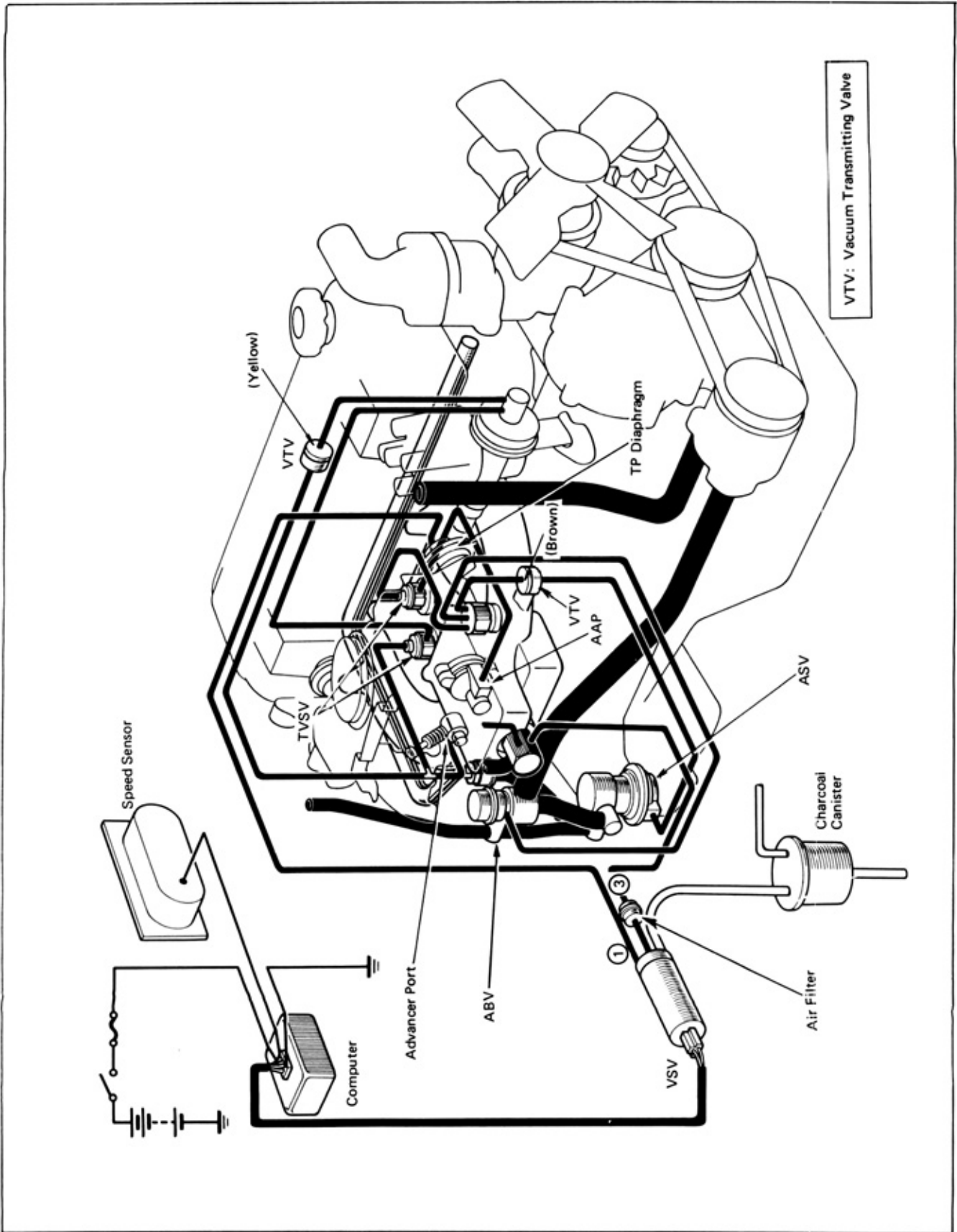


Fig. 21-2 2T-C Engine Schematic Drawing (Except for California)

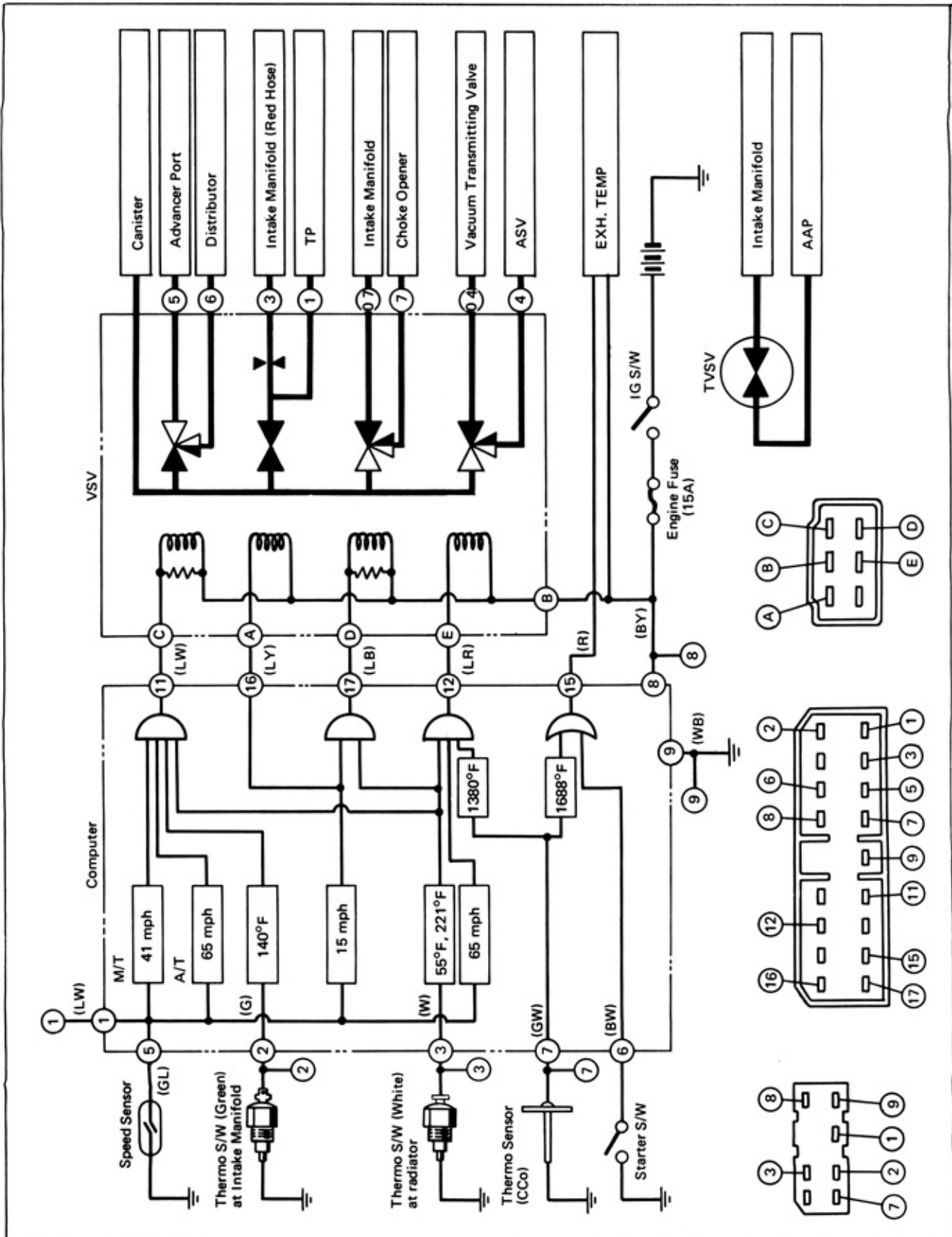


Fig. 21-3 2T-C Engine Schematic Drawing (California)

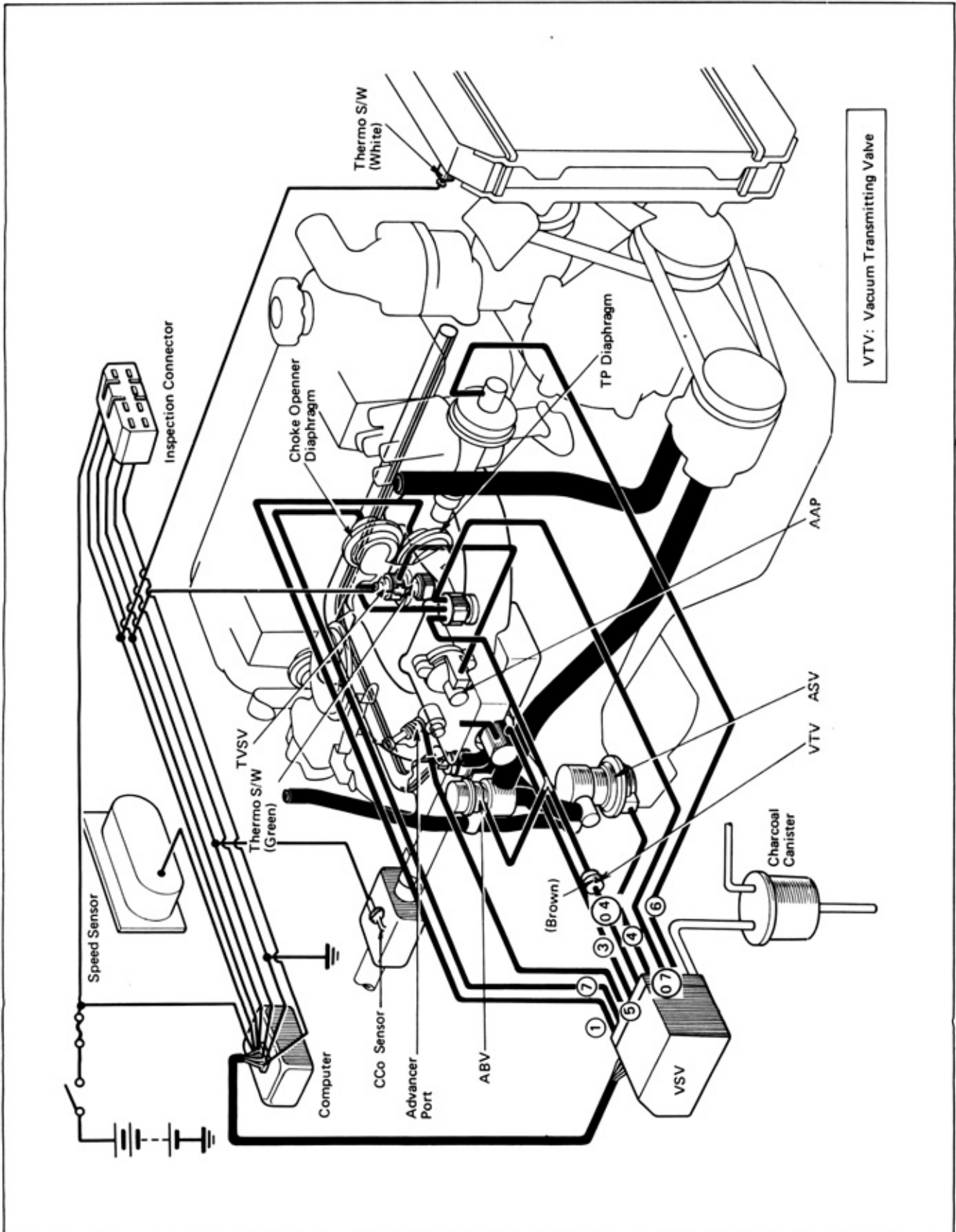


Fig. 21-4 2T-C Engine Schematic Drawing (California)

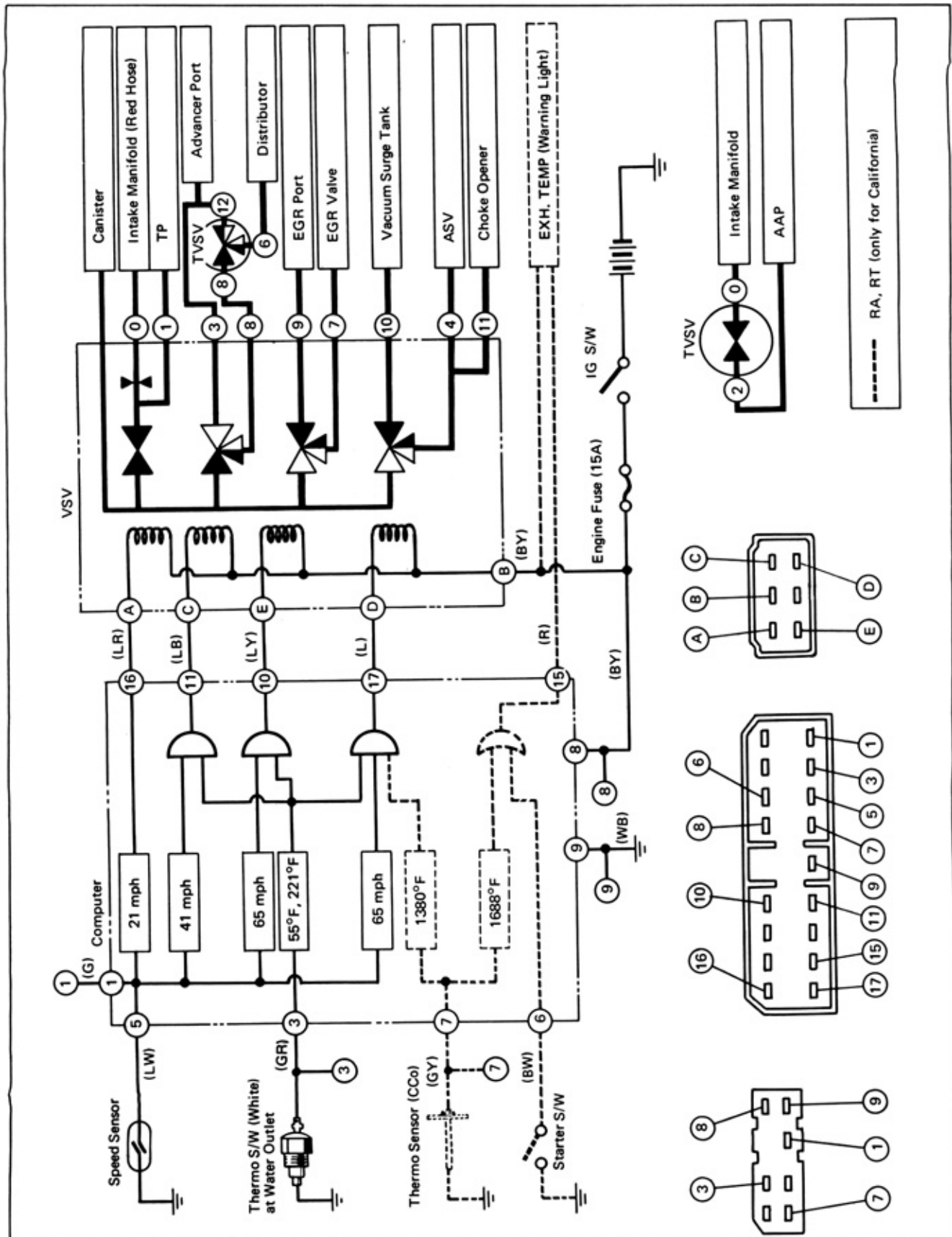


Fig. 21-5 20R Engine Schematic Drawing

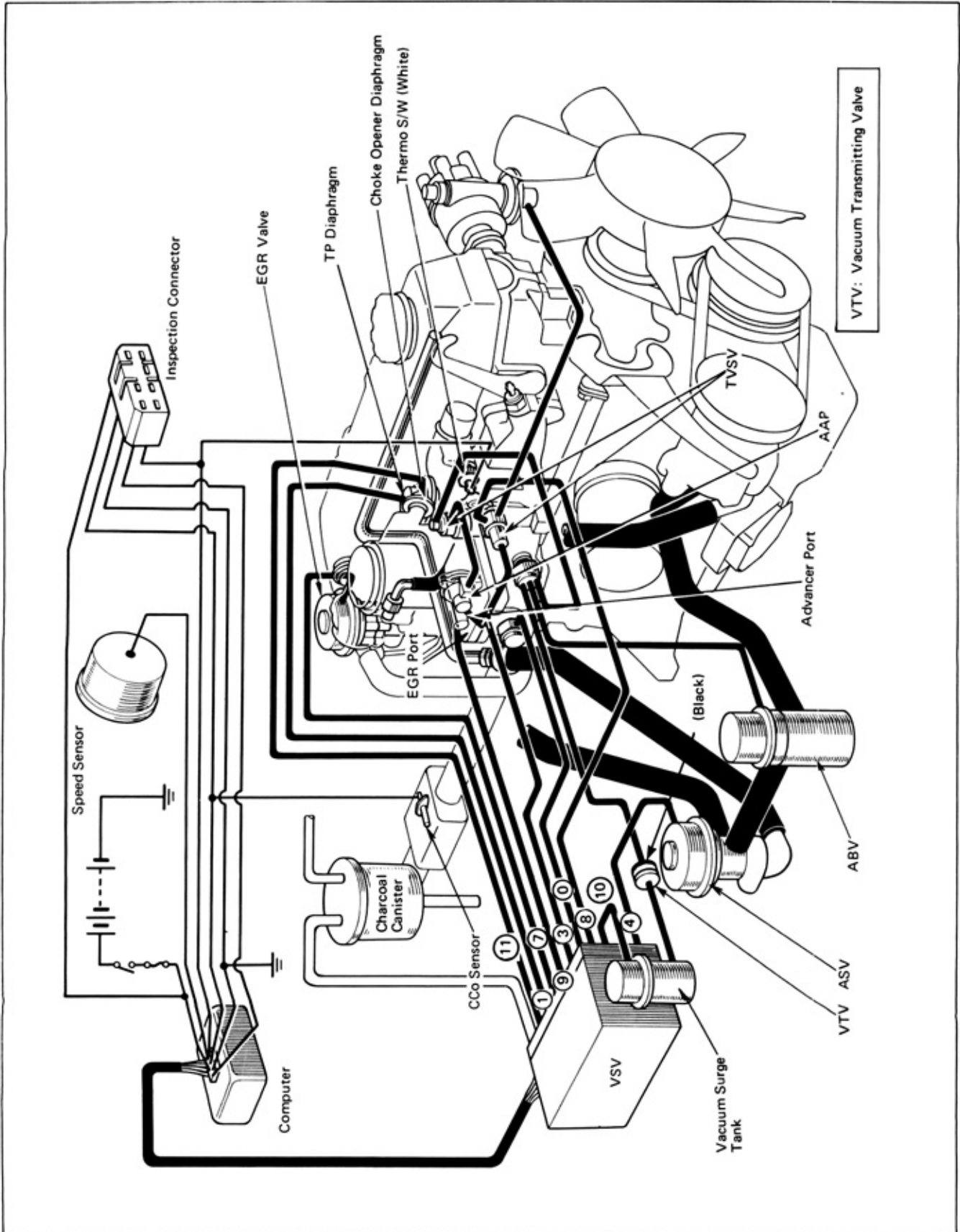


Fig. 21-6 20R Engine Schematic Drawing

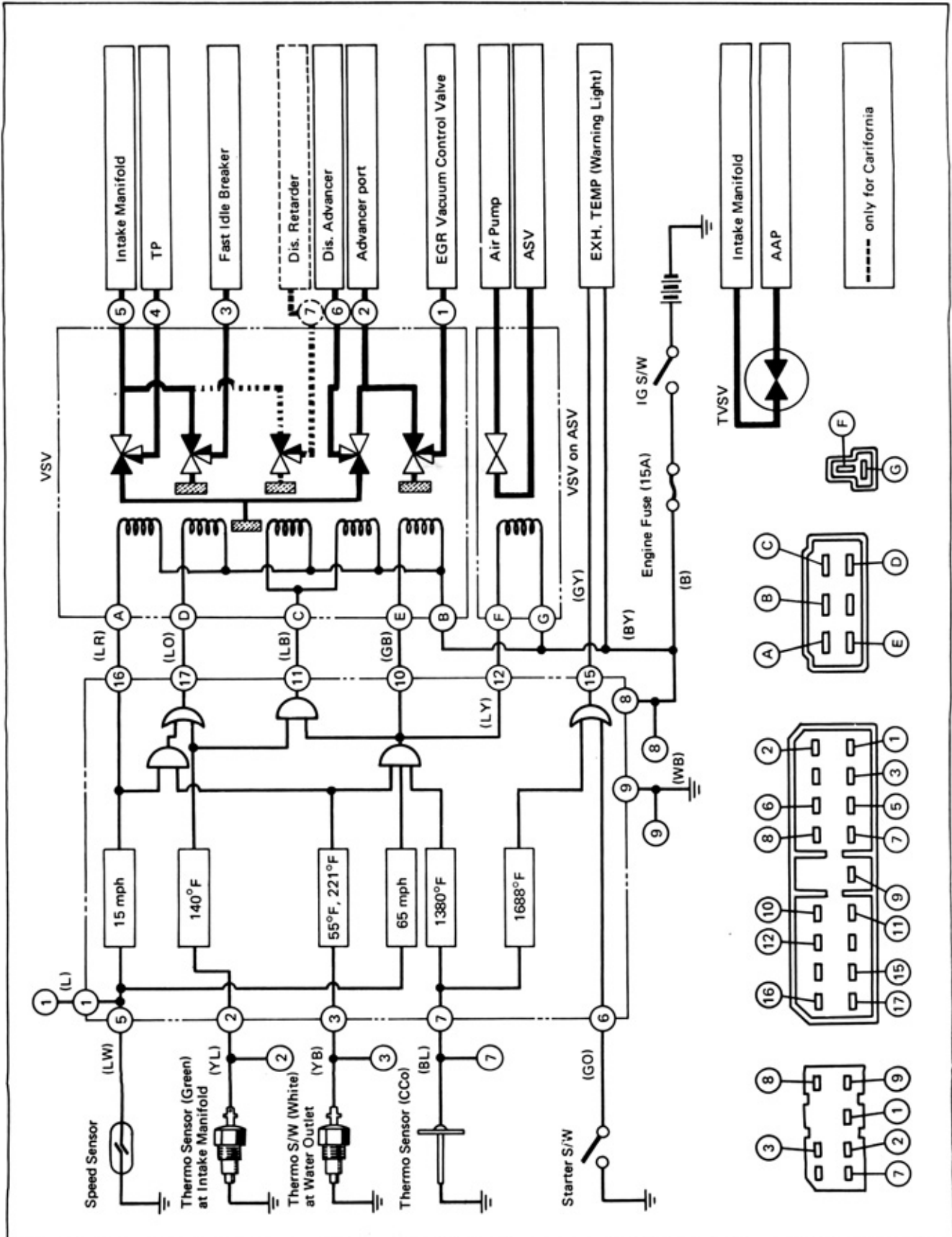


Fig. 21-7 4M Engine Schematic Drawing

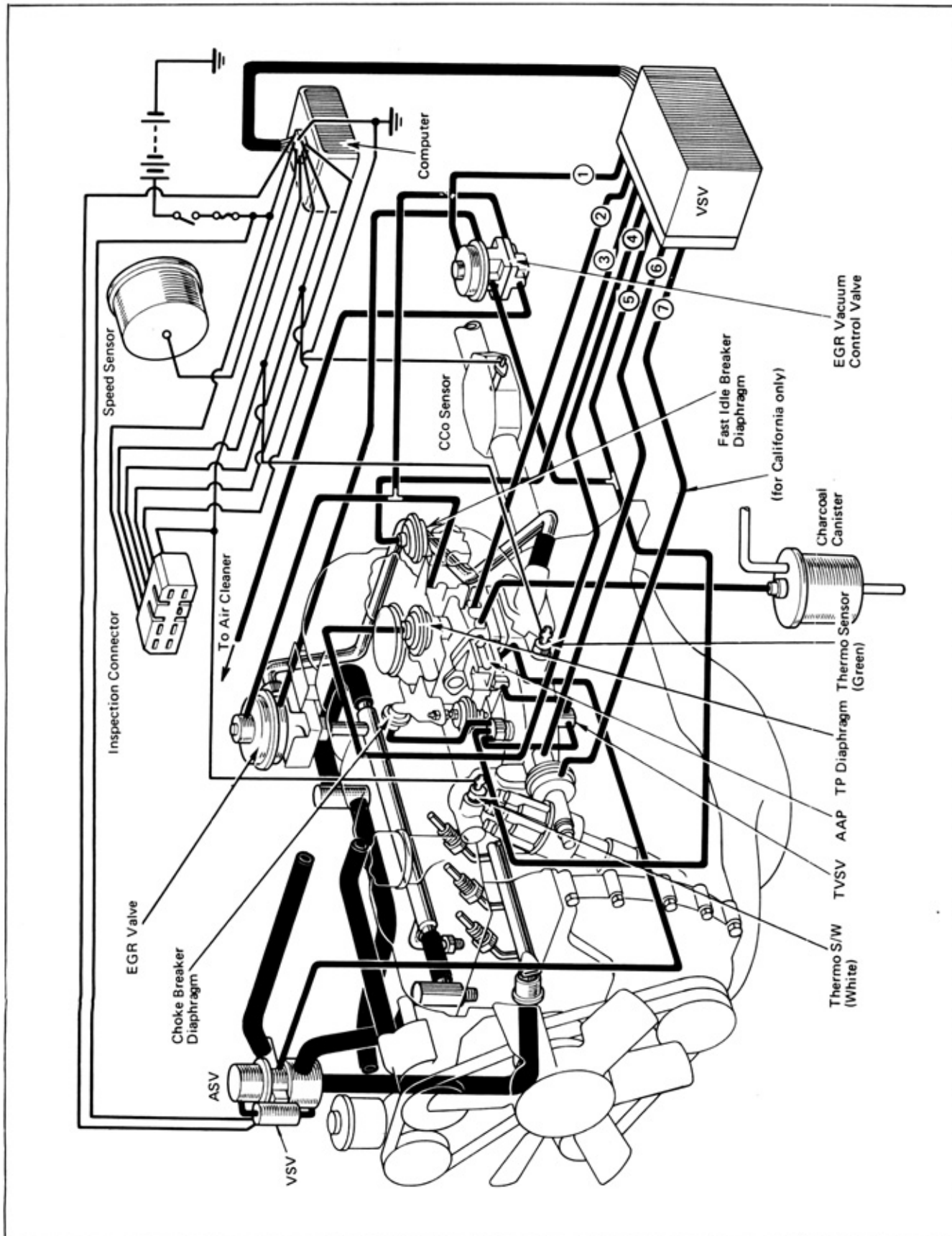


Fig. 21-8 4M Engine Schematic Drawing

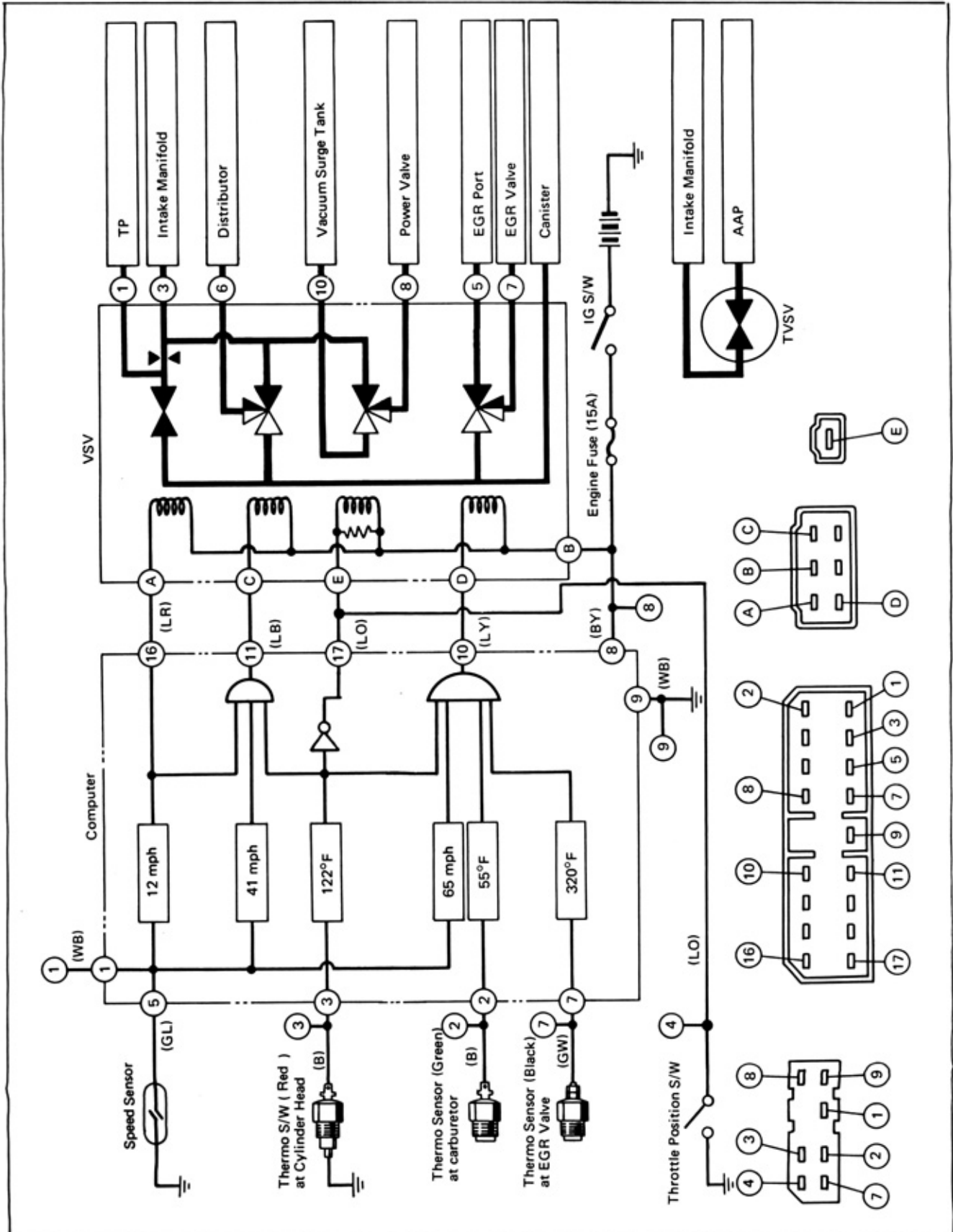


Fig. 21-9 2F Engine Schematic Drawing

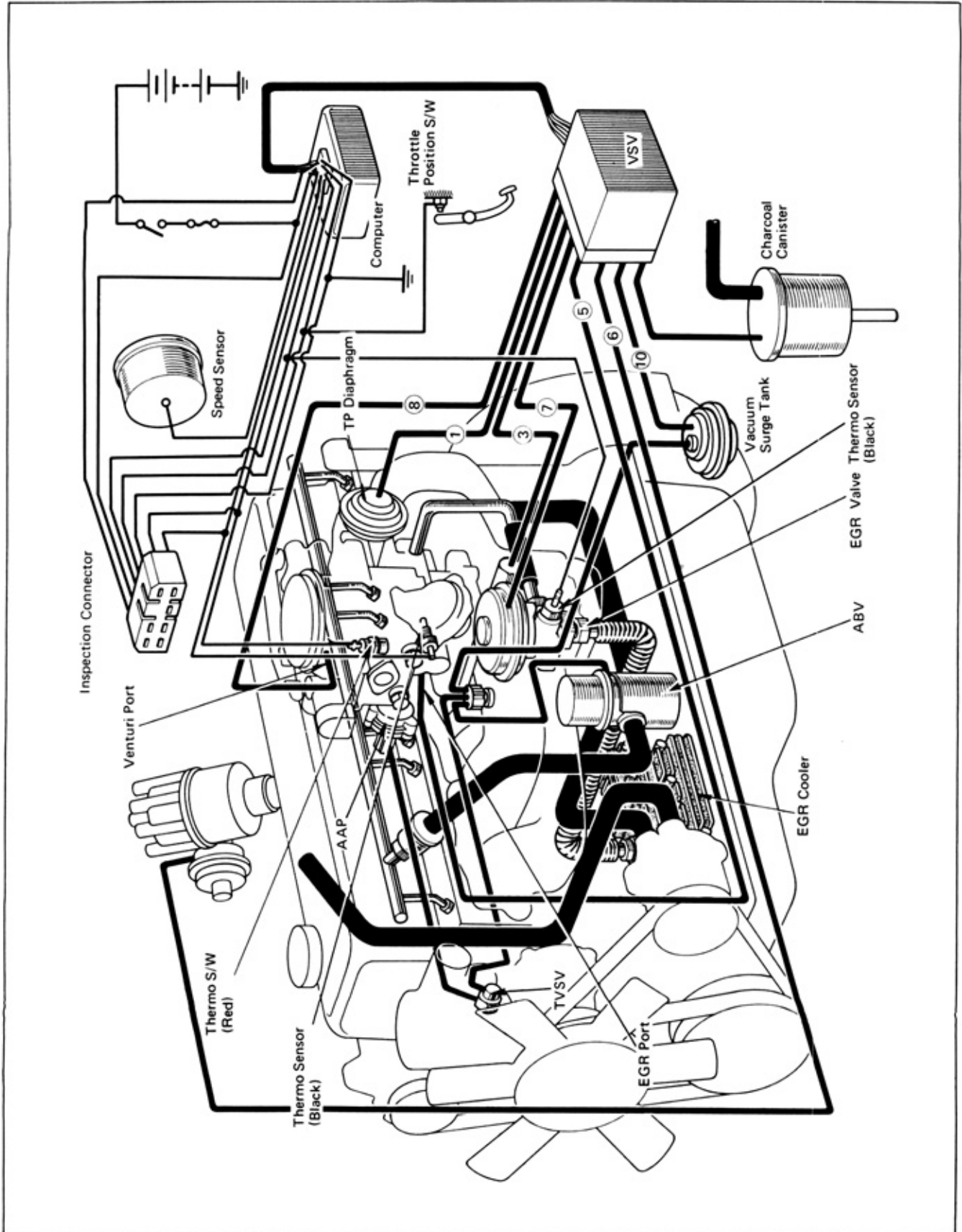


Fig. 21-10 2F Engine Schematic Drawing

